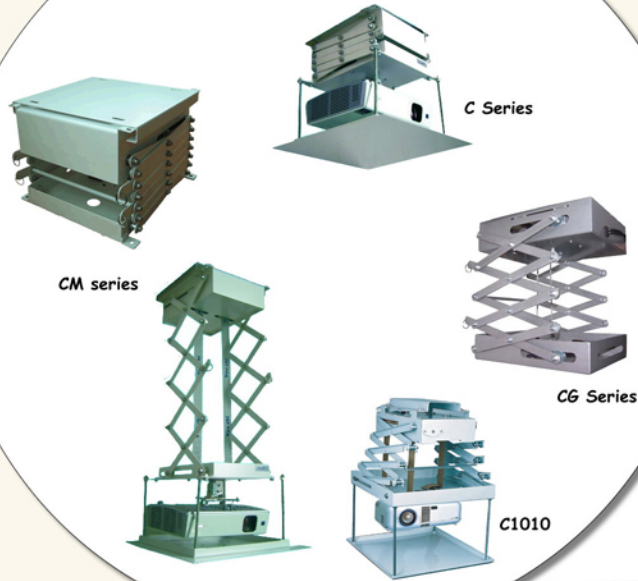




# Scissors Type Projector Lift Series

## Projector Lift Series



The C/CM/CG series Projector Lift is the multimedia conference system best supplementary equipment, installs on the ceiling the elegant appearance.

This product use simplicity of operator, operation balanced reliable; The volume small noise is low, the design causes the product in the contour and the performance completely obviously the high intelligent science and technology.

- USA damping motor
- Power Require: 220V 50/60Hz
- Brake Function
- Manual control and RF control

Model	Load Weight(kg)	Motion distance (mm) (ft)	Board size L x W (mm) (A x B)	Projector Installment Cavity(mm) (C)	Dimensions L x W x H(mm)	Between true ceiling and false ceiling the height(mm)
C1010	10	115-900	500 x 500	330	430 x 385 x 115	320
CM210	15	165-920	400 x 400	330	350 x 300 x 165	320
CM215	15	215-1320			350 x 300 x 195	450
C210	20	205-1000	500 x 500	330	400 x 360 x 205	450
C215	20	265-1500			400 x 360 x 265	500
C220	20	320-2000			400 x 360 x 320	550
C225	20	370-2500			400 x 360 x 370	600
C230	20	420-3000			400 x 360 x 420	650
GC520	50	300-2000			460 x 420 x 300	600
GC530	50	400-3000	600 x 600	430	460 x 420 x 400	700
GC550	50	600-5000			460 x 420 x 600	900

May Tailor made

## LRT-10A Rotating mount



Left / Right 350 degree-10Kg-



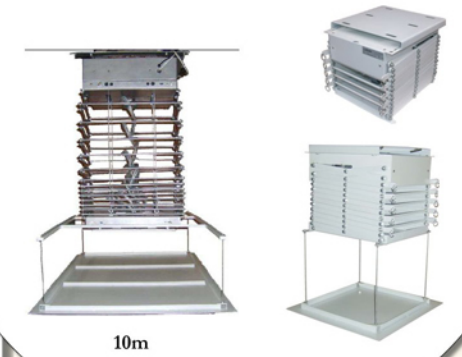
RF Series control



# Long distance Projector Lift Series (Two level position)



## YTK GB-900T 10M projector lift



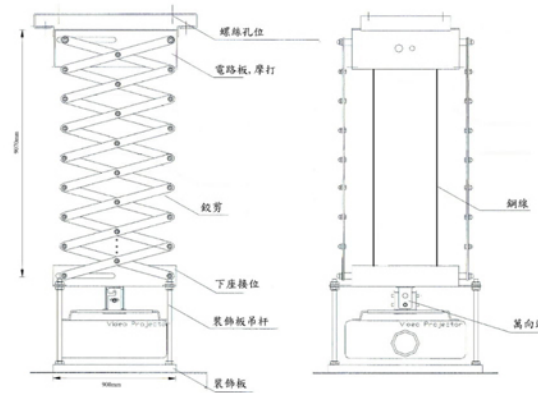
- Supply RS232/RS485, Including: Manual and wireless remote control
- Motion max distance: 9100mm
- Function: Up, Down, stop
- Material: Iron of A3
- USA damping motor , Brake
- The left / right is 32 groups scissors x 2 , Two section of distance corrections for lift function (the first-level projector position, the second level services the position)
- The adjustable projector angle mount bracket (the left/right 0-30°; Up/Down 0-40°)
- Automatic setting of Two section: stop
- Color: Phenolic plastics , Surface treatment: Bake of high temperature
- Weight:80kg
- Load weight: 50kg
- Board size L x W (mm): 900 x 900
- Power Supply: 220 V / 50 ~ 60 Hz



the first-level projection position



the second level services position



Agent: